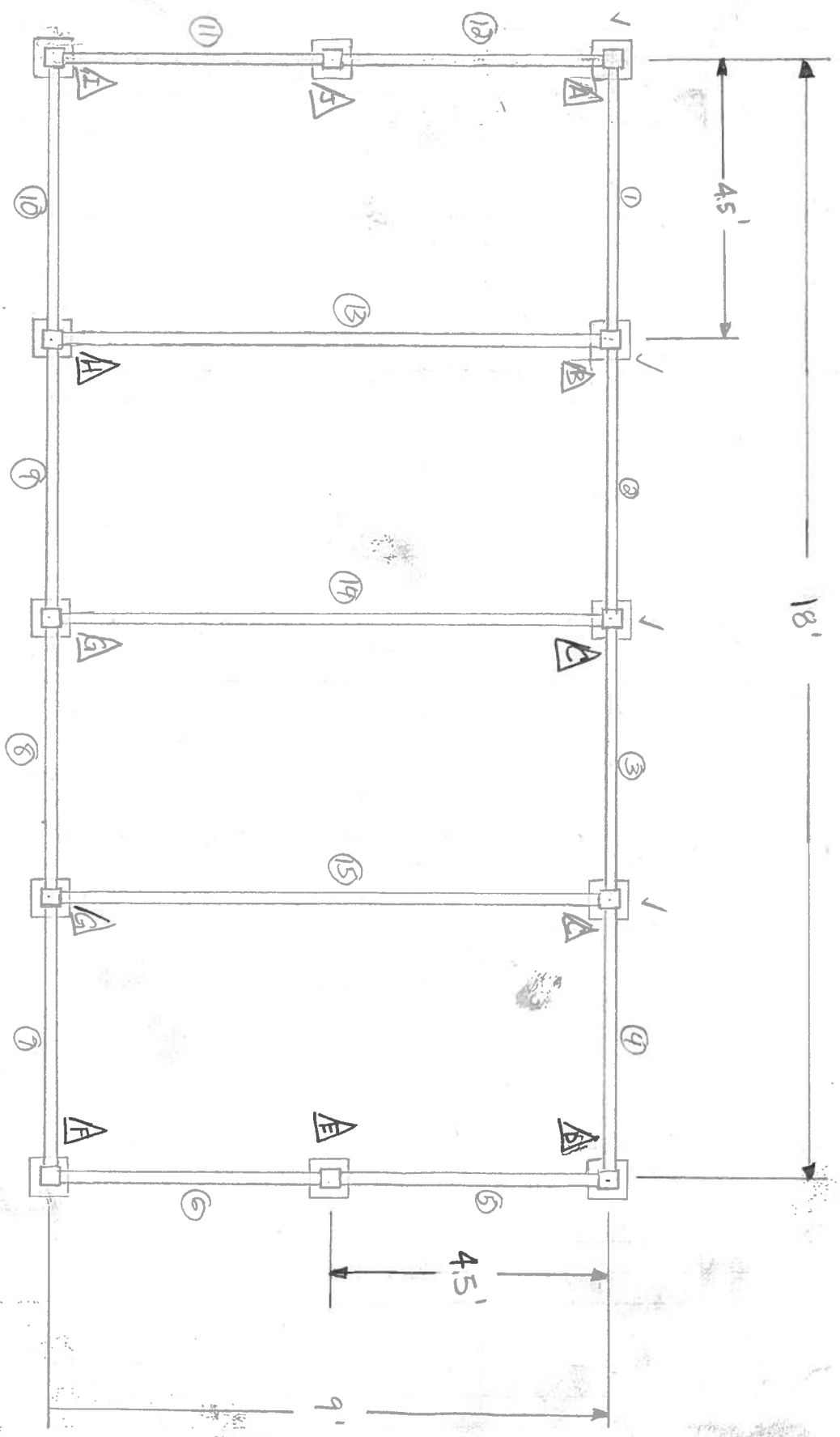


Pullup Station Layout			
Section	Diameter	Height	~ Length
(#)	(in)	(in)	(ft)
1	1.66	92	4.5
2	1.66	92	4.5
3	1.66	92	4.5
4	1.66	92	4.5
5	1.05	80	4.5
6	1.05	80	4.5
7	1.32	88	4.5
8	1.32	88	4.5
9	1.32	88	4.5
10	1.32	88	4.5
11	1.32	80	4.5
12	1.32	88	4.5
13	1.90	96	9
14	1.66	96	9
15	1.66	96	9
Total Raw Steel Pipe Required			
Nomenclature	Diameter	Actual Length	
	(in)	(ft)	
3/4" Sch 80	1.05	9.4	
1" Sch 80	1.32	28.1	
1-1/4" Sch 80	1.66	27.8	
1-1/2" Sch 80	1.90	9.4	
Other Finished Steel Required (Excluding Pipe)			
Qty	Description	Dimensions	
12	3/8" Thick Plate	6"x 6"	
12	2.5" Rectangular Tubing	1/8" thick, 102" long	
Raw Steel Parts List			
Qty	Description	Length	
		(ft)	
1	3/8" plate	6	
2	1-1/4" Sch 80 Pipe	21	
2	1" Sch 80 Pipe	21	
1	3/4" Sch 80 Pipe	21	
1	1-1/2" Sch 80 Pipe	21	
6	2.5" Tubing, 1/8" thick	20	

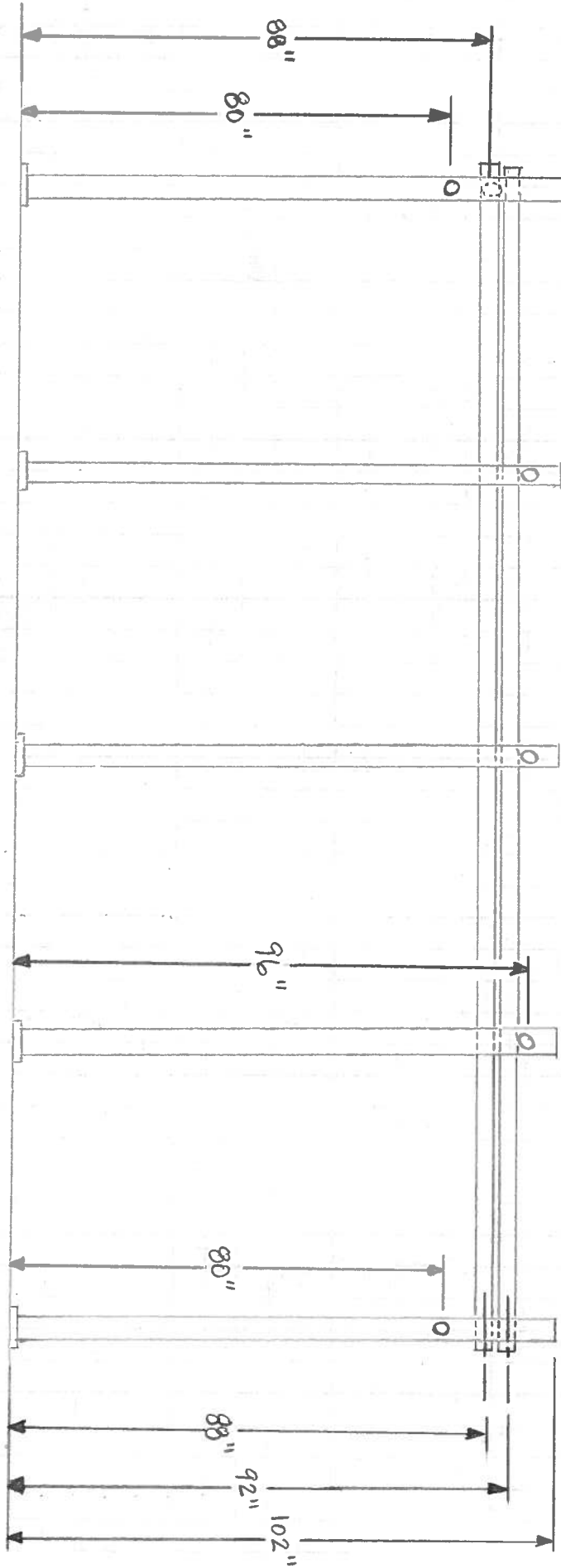
PLAN VIEW



22-141 50 SHEETS
22-142 100 SHEETS
22-144 200 SHEETS

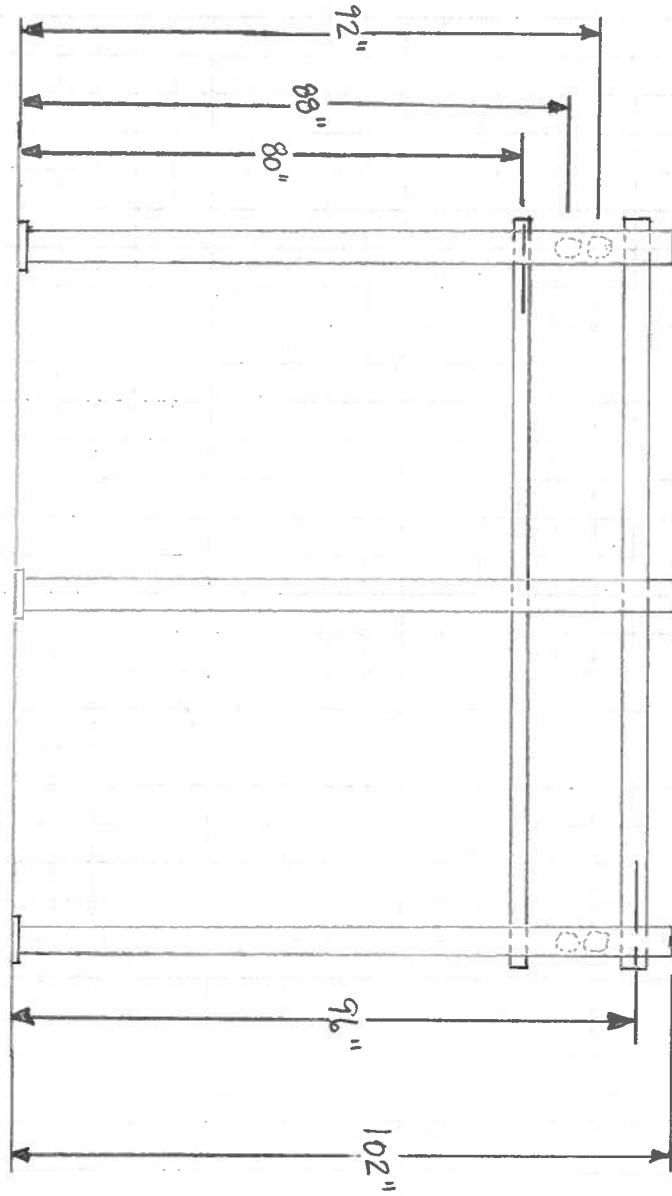


22-141 50 SHEETS
22-142 100 SHEETS
22-144 200 SHEETS



SIDE VIEW

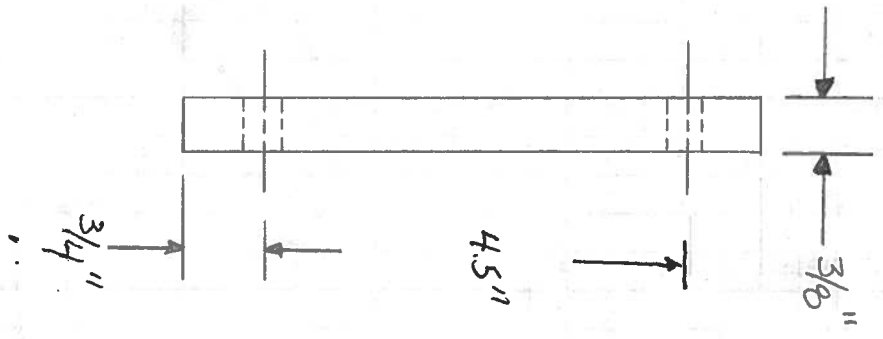
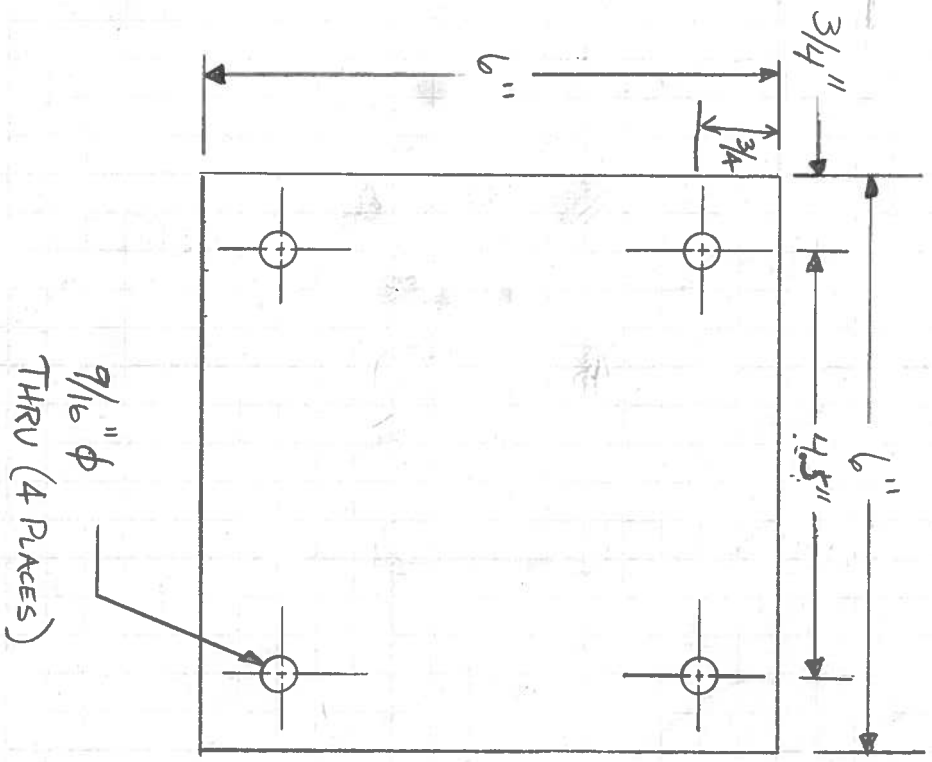
22-141 50 SHEETS
22-142 100 SHEETS
22-144 200 SHEETS



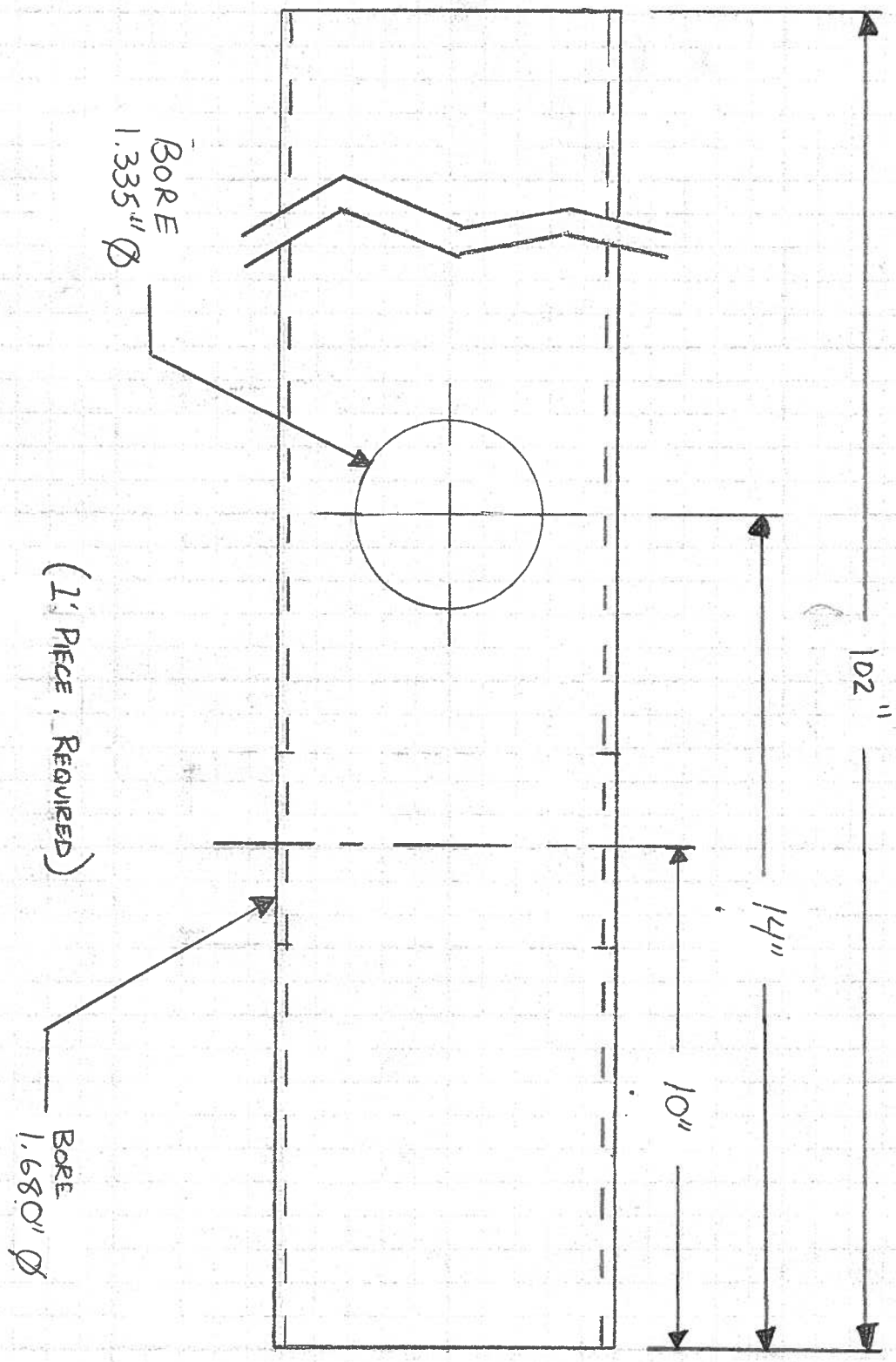
END VIEW



BASE PLATE
(12 REQUIRED)



A

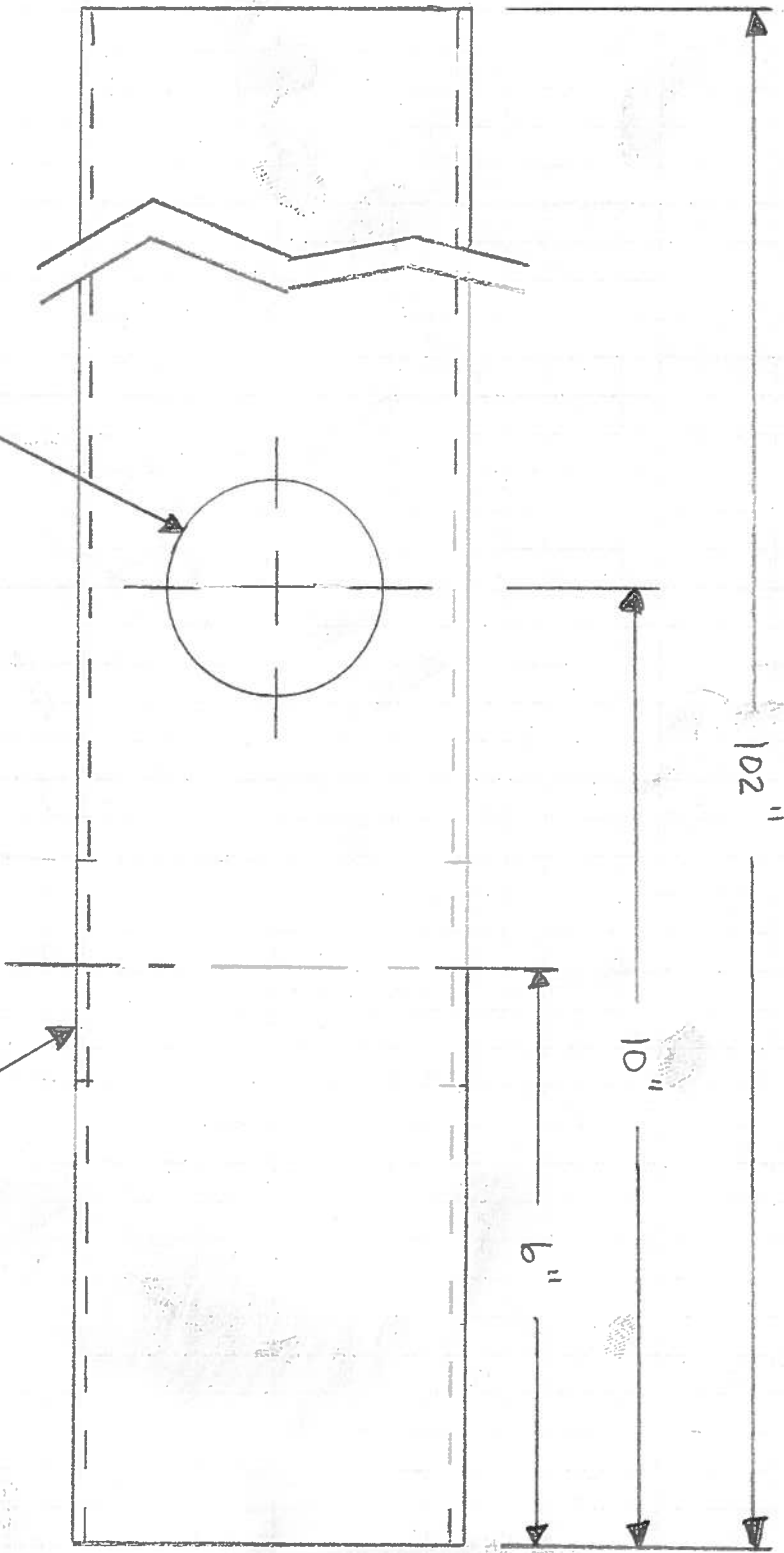


TOP

DOVE

22-141 50 SHEETS
22-142 100 SHEETS
22-144 200 SHEETS





Bore 1.680" Ø

DONE

(2 PIECE REQUIRED)

Bore 1.920" Ø

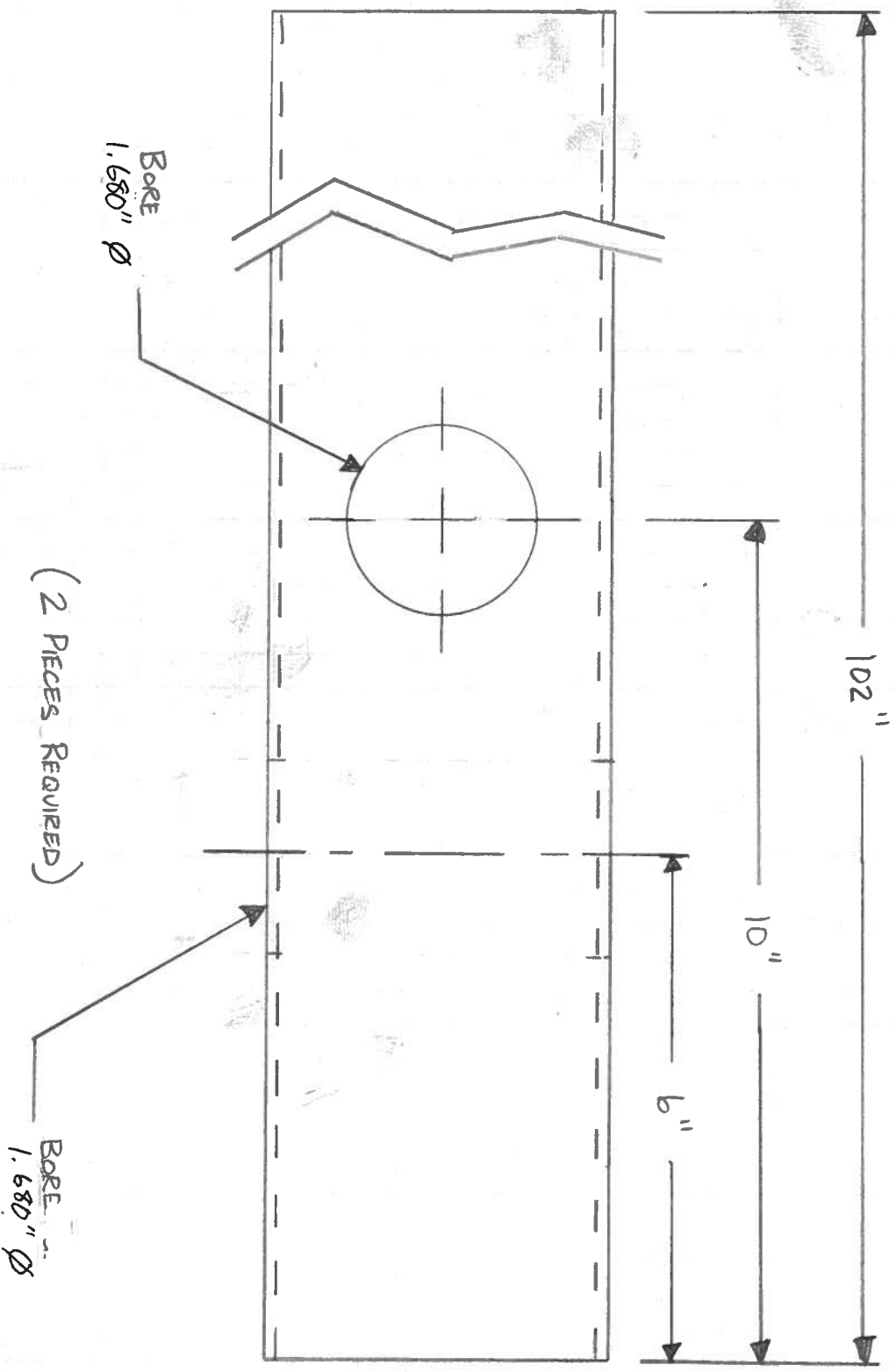
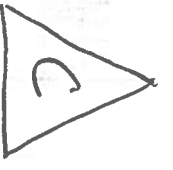
TOP

DONE

22-141 50 SHEETS
22-142 100 SHEETS
22-144 200 SHEETS



DONE



BORE
1.680" \varnothing

(2 PIECES REQUIRED)

BORE
1.680" \varnothing

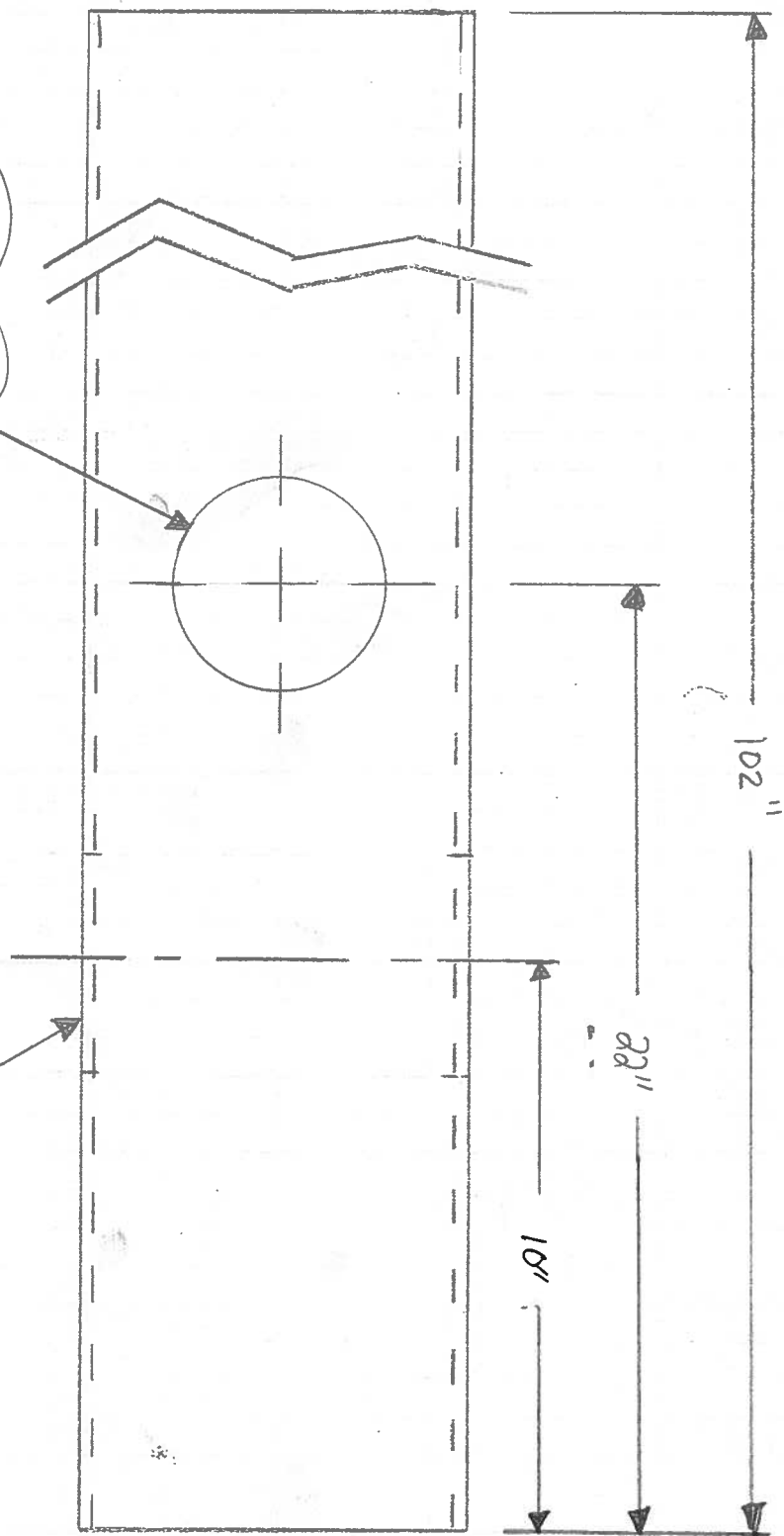
TOP

ADNOTE #1
DATE XX

22-141 50 SHEETS
22-142 100 SHEETS
22-144 200 SHEETS



D



BORE
1.070" Ø

DNF

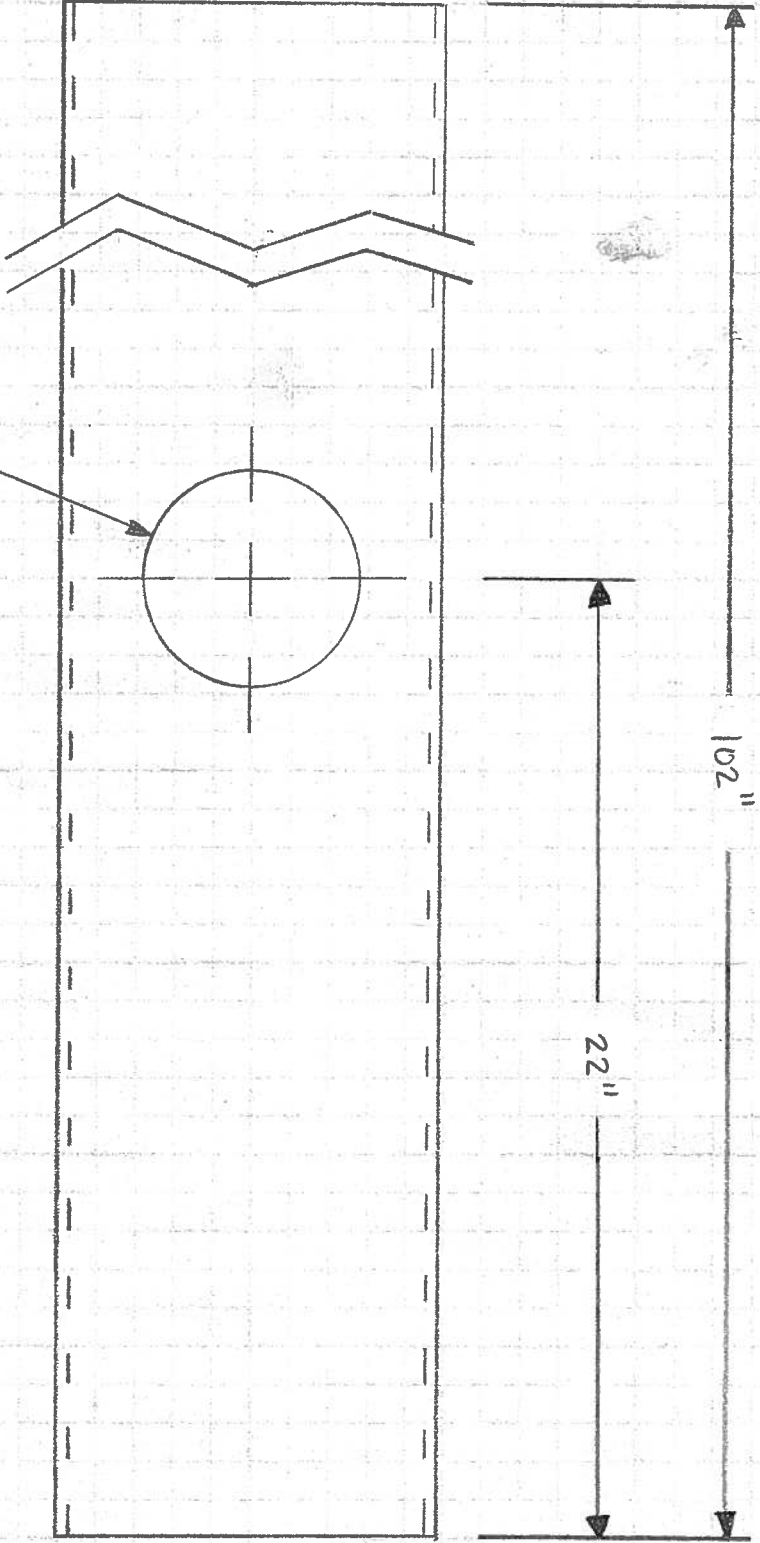
(1 PIECE REQUIRED)

BORE
1.680" Ø

DR

TOP

DNF



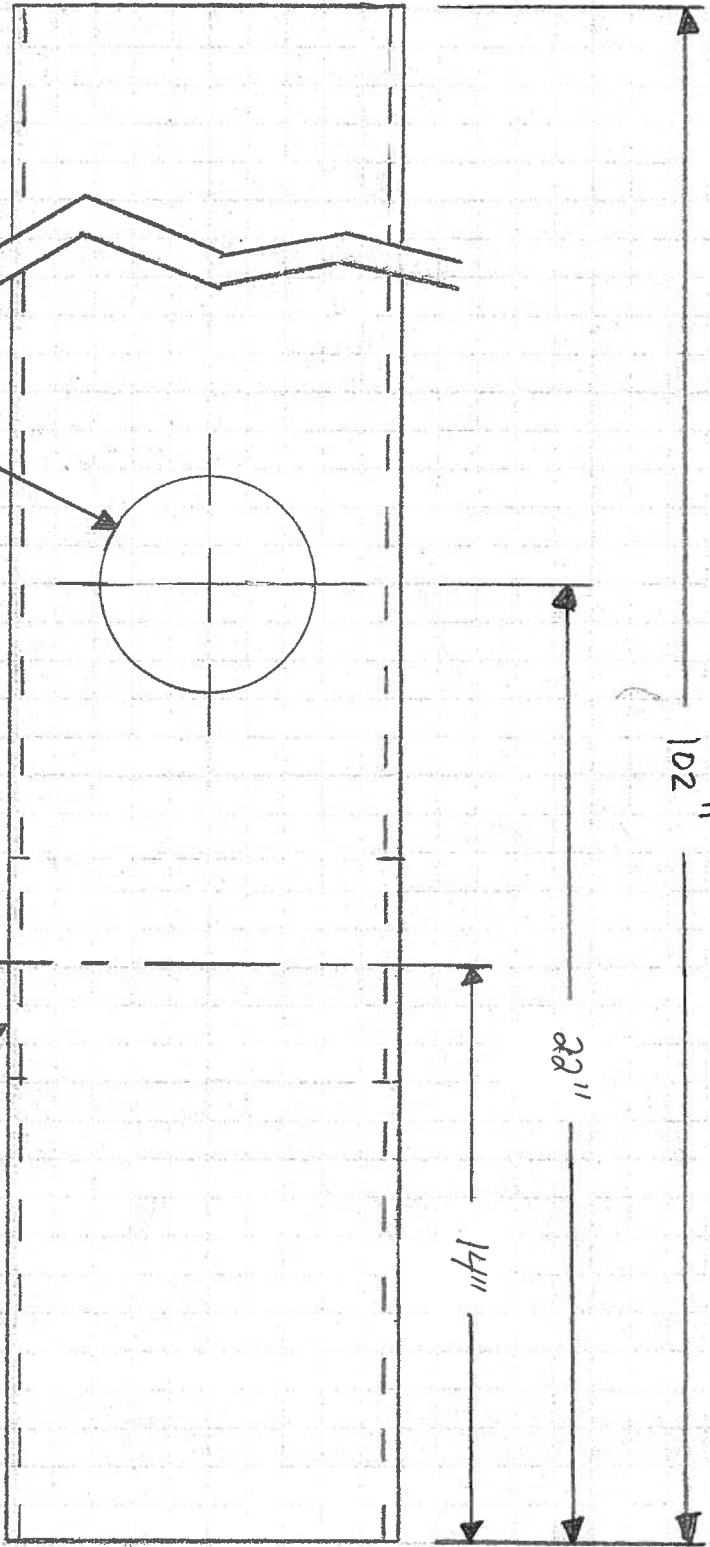
BORE
1.070" \varnothing

1 PIECE REQUIRED

BORE

22-141 50 SHEETS
22-142 100 SHEETS
22-144 200 SHEETS





BORE
1.070" Ø

(1 PIECE REQUIRED)

BORE
1.335" Ø

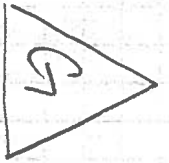
DOWN

DOWN

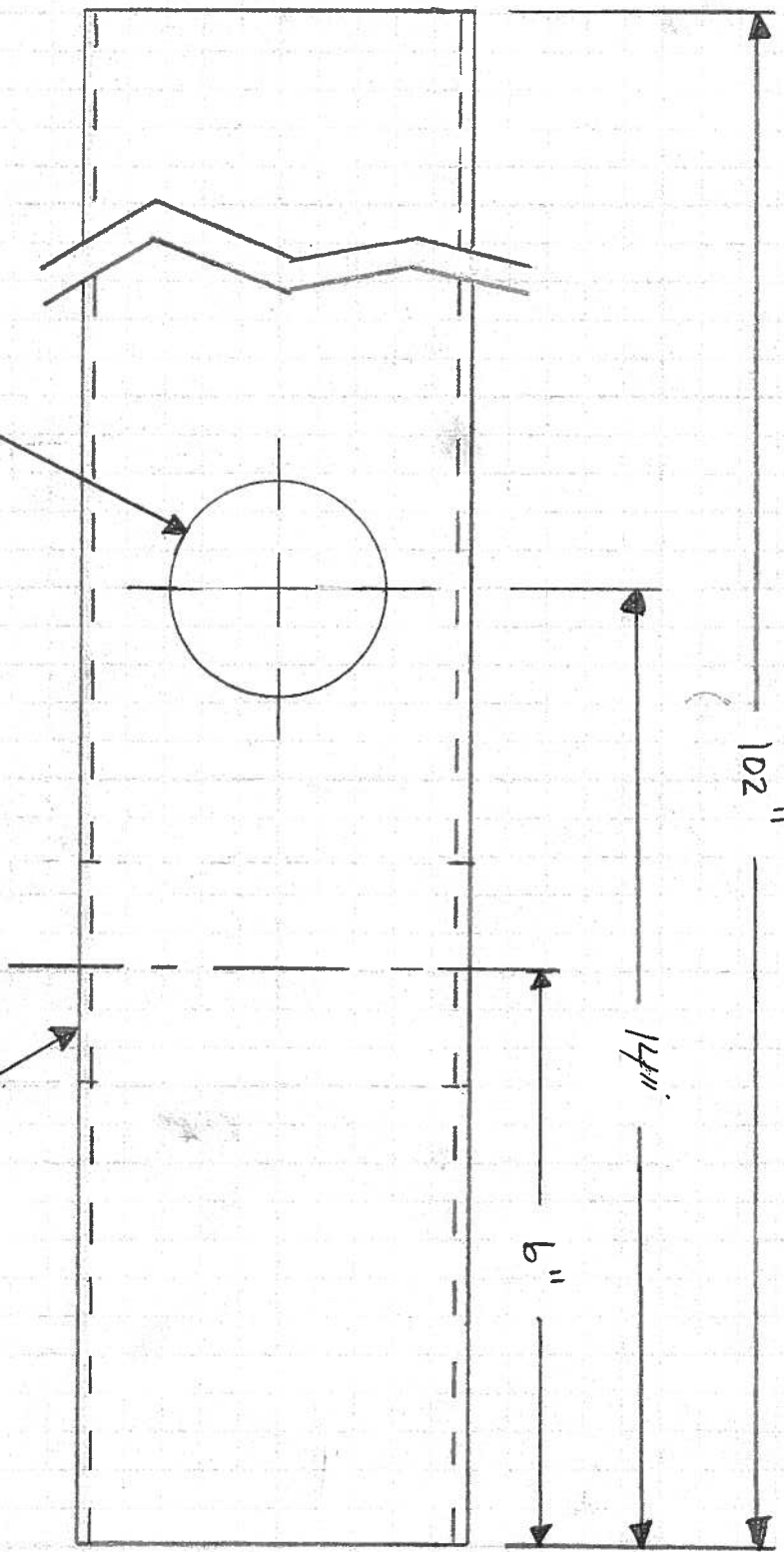
TOP

DOWN





DOWNEX1
DOWNEX2



TOP

BORE
1.335" Ø

DOWNEX1
DOWNEX2

(2 PIECES REQUIRED)

BORE
1.680" Ø

DOWNEX1
DOWNEX2

22-141 50 SHEETS
22-142 100 SHEETS
22-144 200 SHEETS



22-141 50 SHEETS
22-142 100 SHEETS
22-144 200 SHEETS



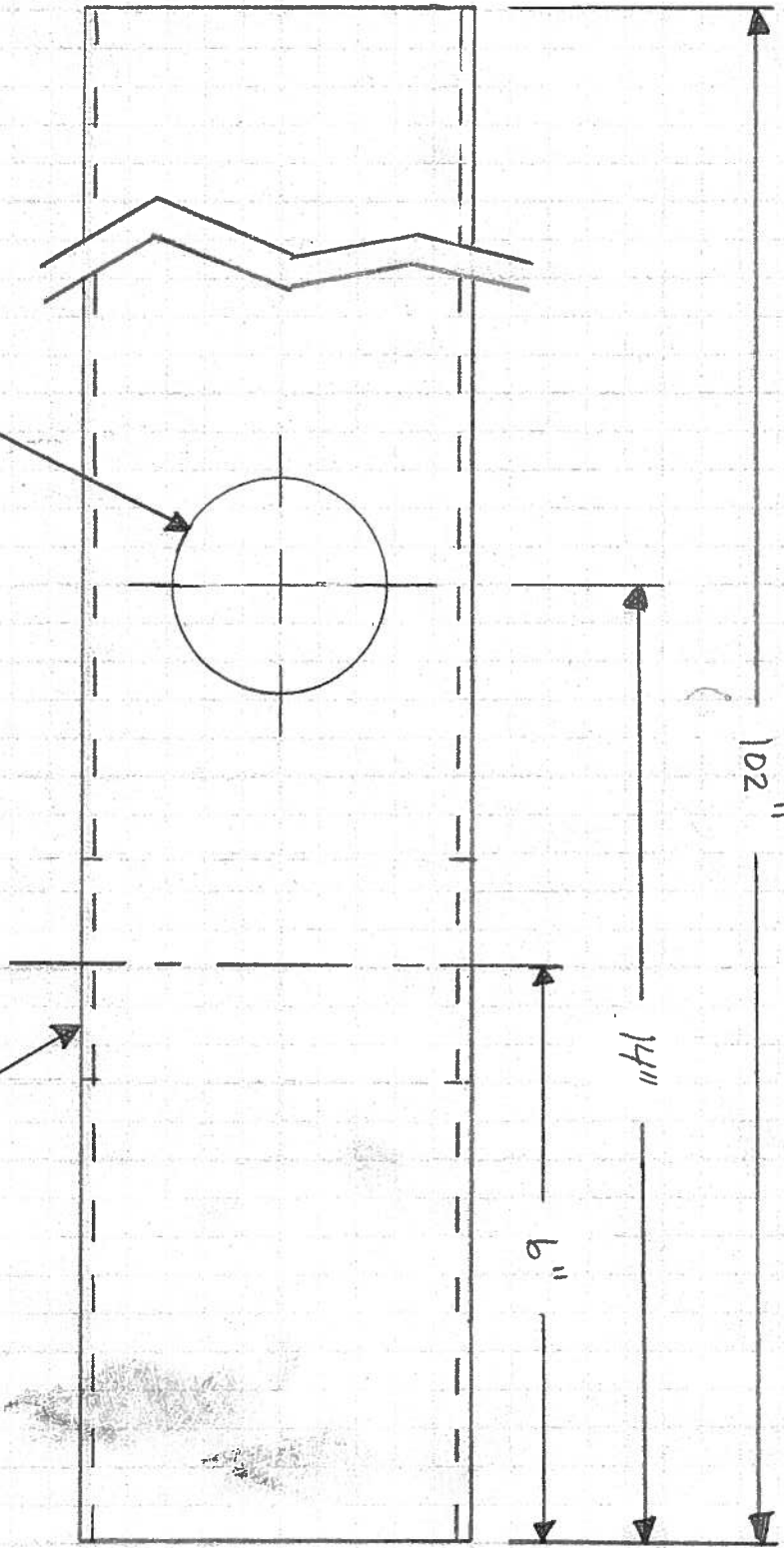
BORE
1.335" ϕ

DONE

(1 PIECE REQUIRED)

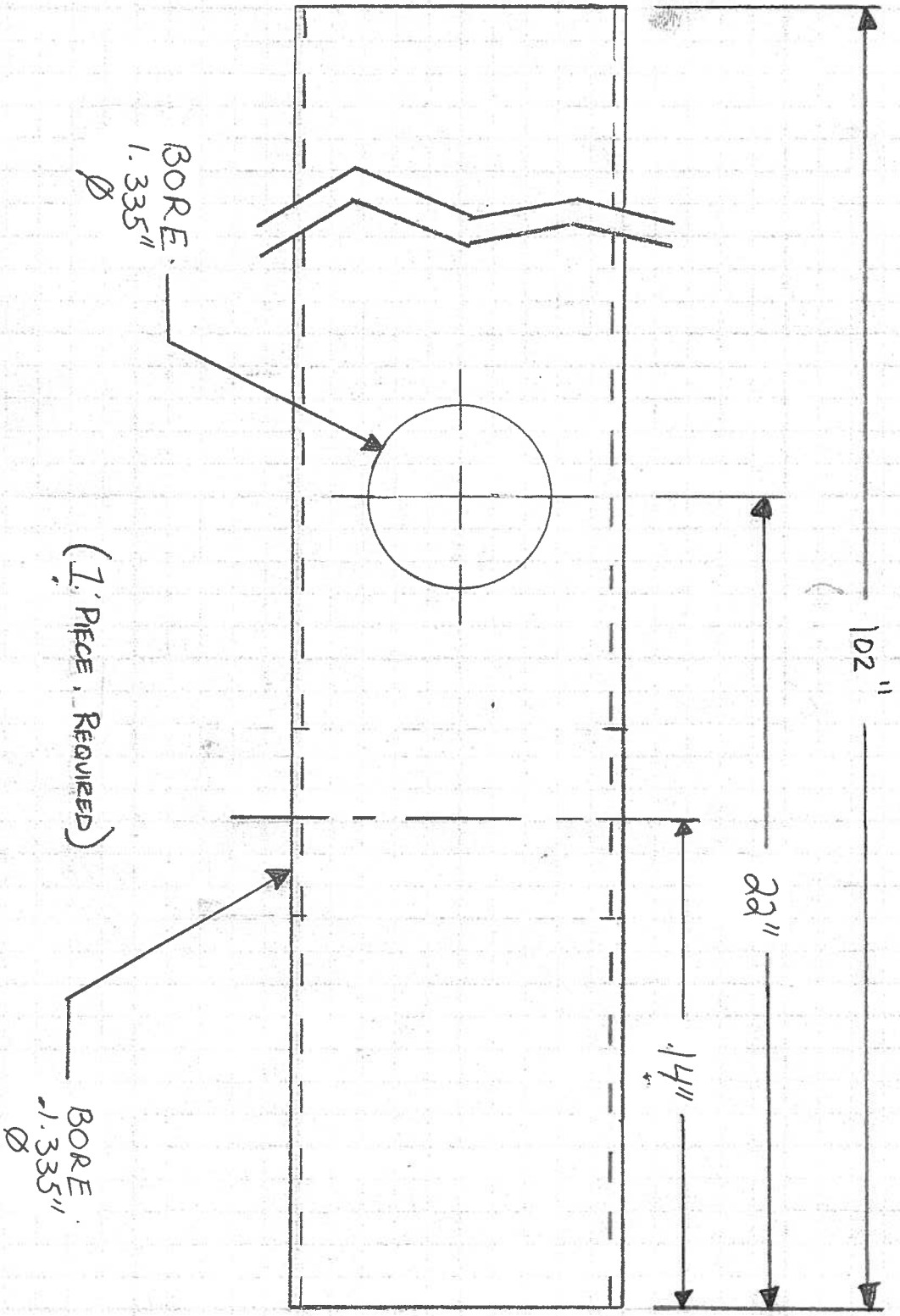
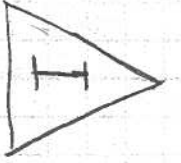
BORE
1.920" ϕ

DONE



TOP

DONE

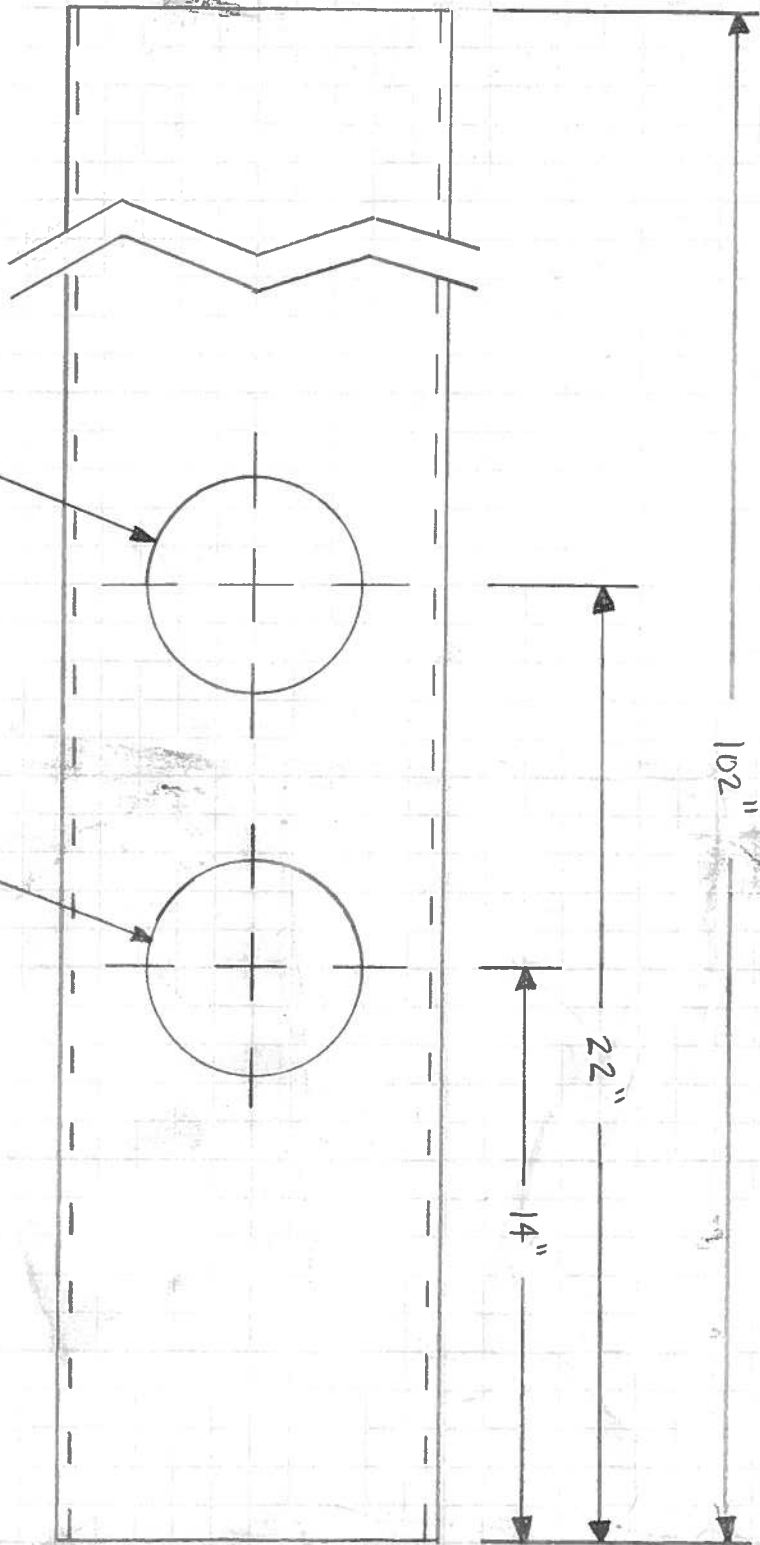
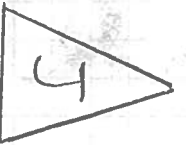


TOP

NOTE

22-141 50 SHEETS
22-142 100 SHEETS
22-144 200 SHEETS





BORE
1.335" Ø

BORE
1.335" Ø

1 PIECE REQUIRED

DO NOT

22-141 50 SHEETS
22-142 100 SHEETS
22-144 200 SHEETS

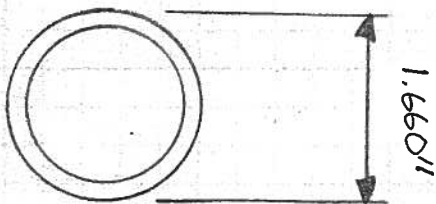
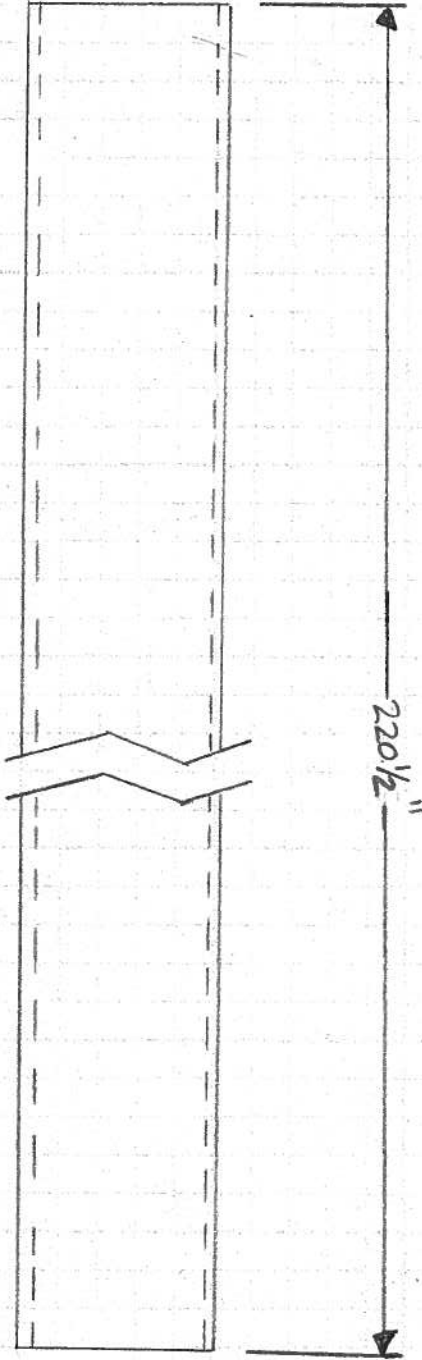


22-141 50 SHEETS
22-142 100 SHEETS
22-144 200 SHEETS



SECTION 1-4 ✓

Nomenclature: 1 1/4" Schedule 80 Pipe

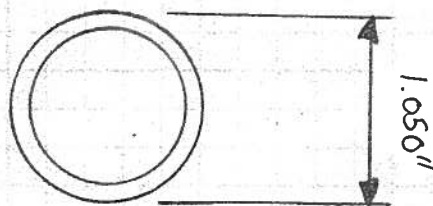
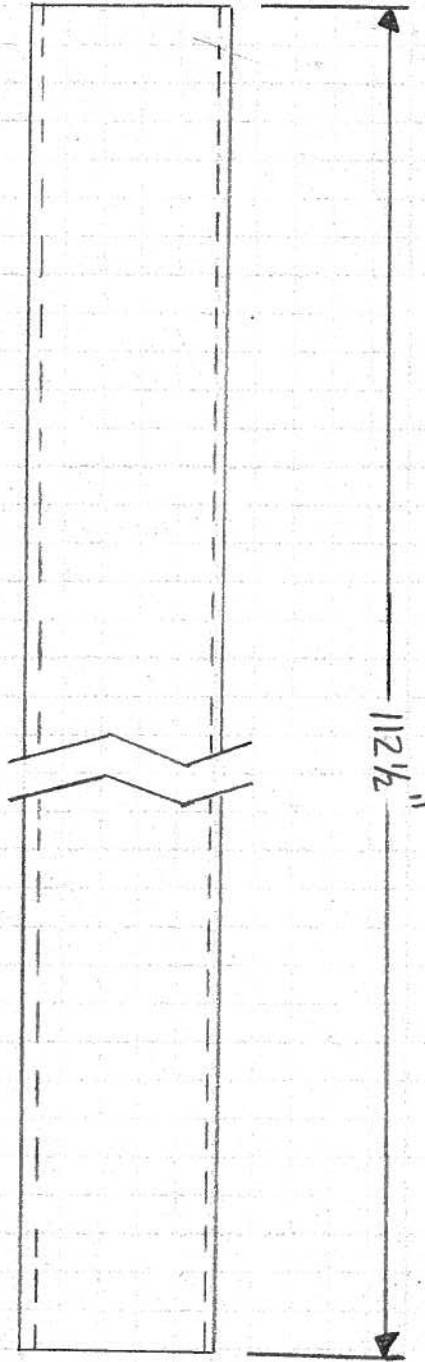


22-141 50 SHEETS
22-142 100 SHEETS
22-144 200 SHEETS



SECTION 5-6 ✓

Nomenclature: 3/4" Schedule 80 Pipe

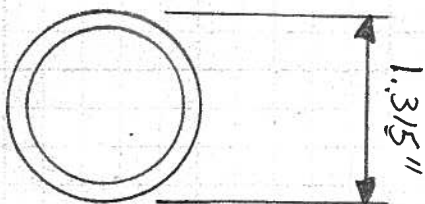
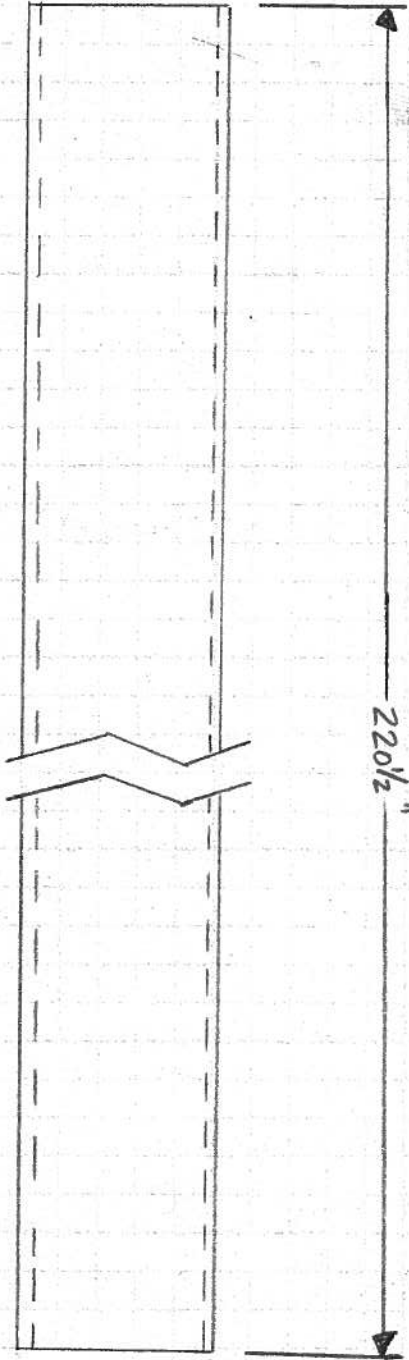


22-141 50 SHEETS
22-142 100 SHEETS
22-144 200 SHEETS



SECTION 7-10 ✓

Nomenclature : 1" Schedule 80 Pipe

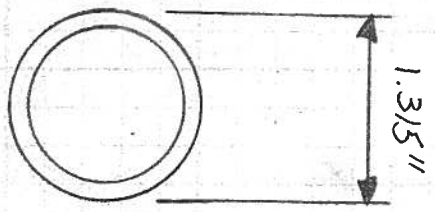
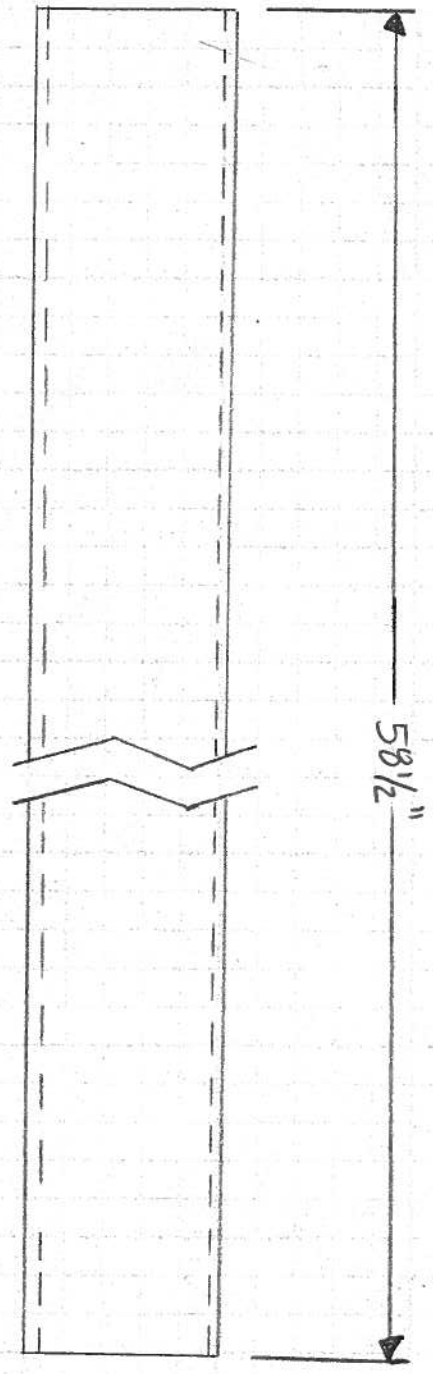


22-141 50 SHEETS
22-142 100 SHEETS
22-144 200 SHEETS



SECTION 11 ✓

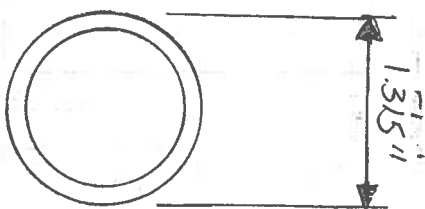
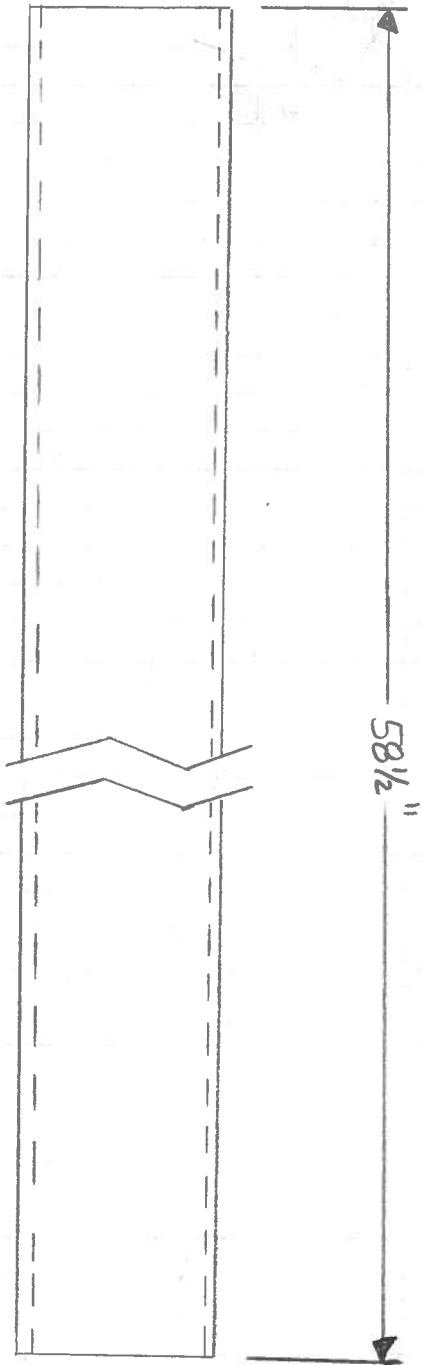
Nomenclature: 1" Schedule 80 Pipe





SECTION 12 ✓

Nomenclature: 1" Schedule 80 Pipe

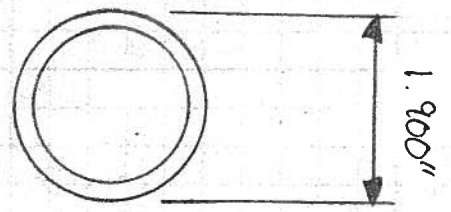
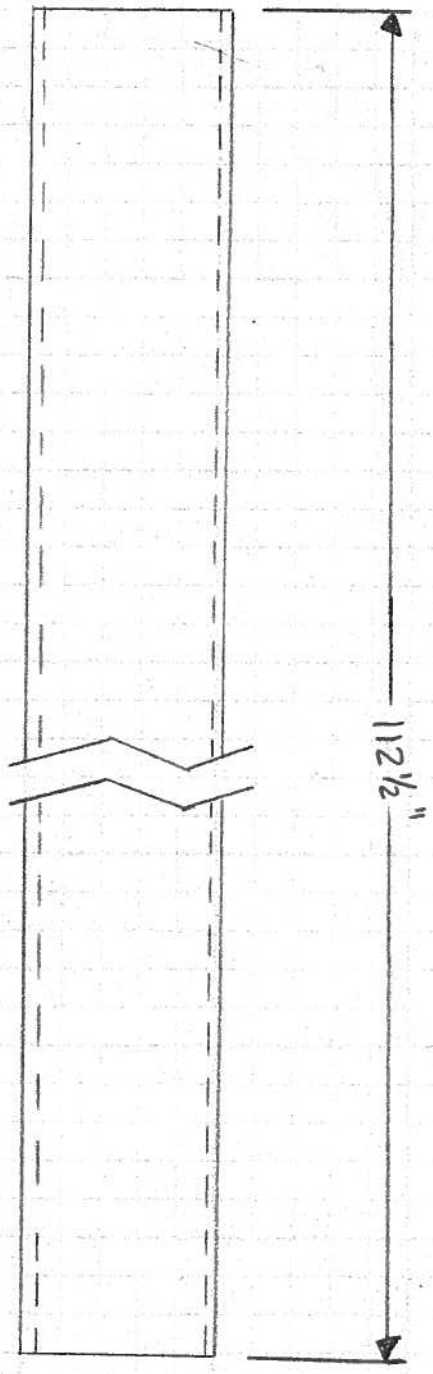


22-141 50 SHEETS
22-142 100 SHEETS
22-144 200 SHEETS



SECTION 13 ✓

Nomenclature: 1 1/2" Schedule 80 Pipe

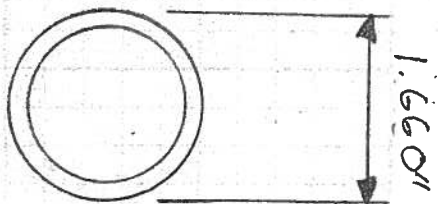
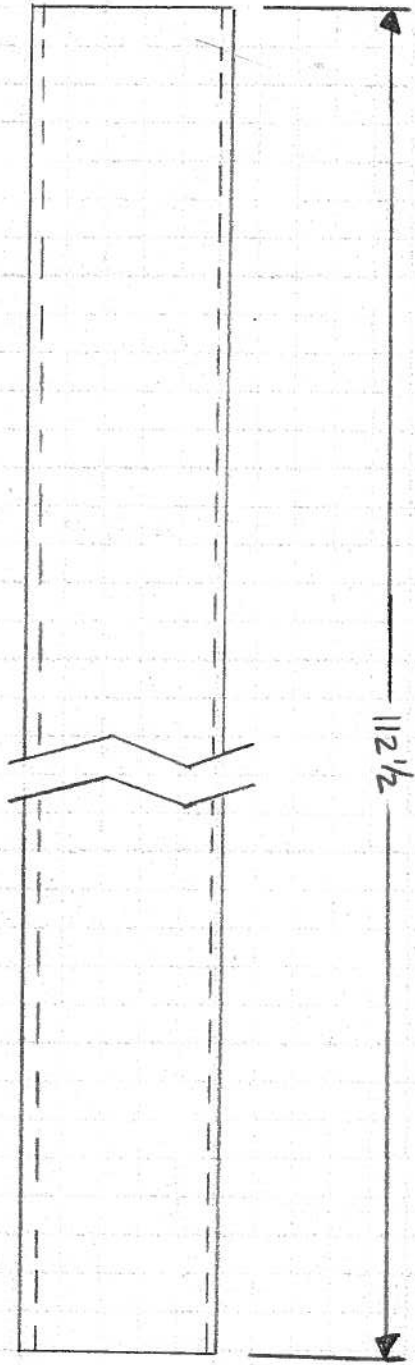


22-141 50 SHEETS
22-142 100 SHEETS
22-144 200 SHEETS



SECTION 14 & 15 ✓

Nomenclature: $1\frac{1}{4}$ " Schedule 80 Pipe



(256) 883-1190
 or
 (256) 883-1191
 FAX NO. (256) 882-0918

SERVICE STEEL, INC.
 4208 SCHRIMSHER LANE, S.W.
 HUNTSVILLE, ALABAMA 35805

INVOICE NUMBER 107758

INVOICE DATE _____

STRUCTURAL STEEL MISCELLANEOUS IRON STEEL JOISTS DECKING

SOLD TO

360 FITNESS LLC

SHIP TO

HUNTSVILLE

OUR ORDER NUMBER _____ ORDER DATE 11/11 SHIPPED VIA _____
 FOB SHIPING. PT. DATE SHIPPED 11/20/09 CUSTOMER ORDER NUMBER _____
 FOB DEST.

ITEM	QUAN	MK NO.	DESCRIPTION	LENGTH		WEIGHT	UNIT PRICE	EXTRAS	AMOUNT
				FT.	IN.				
1			FB 3x2 1/2"	60					3300
2			1 1/4" ID PIPE	210					6000
2			1" ID PIPE	210					4400
1			3/4" ID PIPE	210					1500
1			1 1/2" ID PIPE	210					3800
6			TS 2 1/2 x 1/2"	200					19000
									31200
									10000
									5000
									50200
									800
									40.16
									\$ 542.16

CH # 1011

THE ABOVE MERCHANDISE RECEIVED AS SHOWN AND IN GOOD ORDER BY _____

(Exceptions shall be noted)

X _____

TERMS _____ "NO DISCOUNTS" "SERVICE CHARGE OF 2% PER MONTH ON UNPAID BALANCE OVER 30 DAYS."